

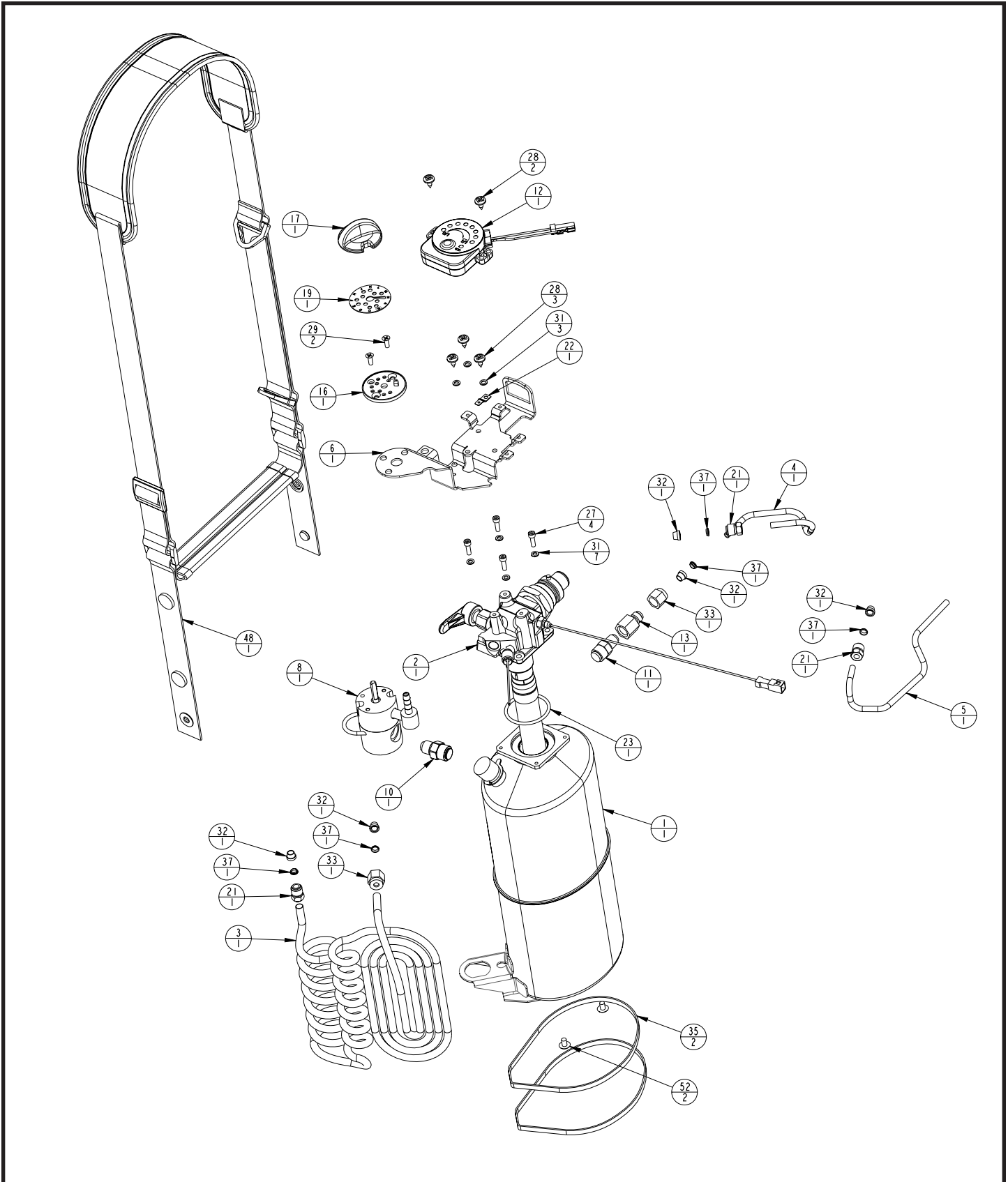
Miscellaneous Parts

Description	Sprint SF	Sprint TF	Stroller SF	Stroller TF	#
Top Label - All Languages	13712200	13712200	13734741	13734741	1
Bottom Label - English	13657677	13657677	13657677	13657677	1
Bottom Label - Italian	13659154	13659154	13659154	13659154	1
Bottom Label - Spanish	13659171	13659171	13659171	13659171	1
Bottom Label - Portuguese	13659200	13659200	13659200	13659200	1
Bottom Label - Swedish	13659251	13659251	13659251	13659251	1
Bottom Label - Finnish	13659285	13659285	13659285	13659285	1
Bottom Label - Greek	13659242	13659242	13659242	13659242	1
Bottom Label - Norwegian	13659226	13659226	13659226	13659226	1
Bottom Label - French	13659162	13659162	13659162	13659162	1
Bottom Label - Dutch	13659277	13659277	13659277	13659277	1
Bottom Label - German	13657685	13657685	13657685	13657685	1
Bottom Label - Danish	13659234	13659234	13659234	13659234	1
Bottom Label - Hungarian	13659357	13659357	13659357	13659357	1
Bottom Label - Hebrew	13659293	13659293	13659293	13659293	1
POI - English	13138009	13138009	13138009	13138009	1
POI - Italian	13224185	13224185	13224185	13224185	1
POI - German	13224193	13224193	13224193	13224193	1
POI - Spanish	13224206	13224206	13224206	13224206	1
POI - French	13224214	13224214	13224214	13224214	1
POI - Dutch	13224222	13224222	13224222	13224222	1
POI - Norwegian	13224231	13224231	13224231	13224231	1
POI - Danish	13224249	13224249	13224249	13224249	1
POI - Greek	13224257	13224257	13224257	13224257	1
POI - Portugese	13224265	13224265	13224265	13224265	1
POI - Swedish	13224273	13224273	13224273	13224273	1
POI - Hebrew	13224281	13224281	13224281	13224281	1
POI - Hungarian	13224290	13224290	13224290	13224290	1
POI - Finnish	13224311	13224311	13224311	13224311	1
Svce Case Assy - Blue - G4	14037285	14037285	14015570	14015570	1
Svce Case Assy - Light Gray - G4	14037293	14037293	14015588	14015588	1
Svce Case Assy - Dark Gray - G4	14037277	14037277	14015561	14015561	1
Svce Case Assy - Blue - G4 - Wide			14015617	14015617	1
Svce Case Assy - Light Gray - G4 - Wide			14015596	14015596	1
Svce Case Assy - Dark Gray - G4 - Wide			14015609	14015609	1
Dome Cover - Blue - Meter	12932526	12932526	12932526	12932526	1
Dome Cover - Light Gray - Meter	12932542	12932542	12932542	12932542	1
Dome Cover - Dark Gray - Meter	12932534	12932534	12932534	12932534	1
Dome Cover - Blue - Scale	11199511	11199511	11199511	11199511	1
Dome Cover - Light Gray - Scale	11199570	11199570	11199570	11199570	1
Dome Cover - Dark Gray - Scale	11199545	11199545	11199545	11199545	1
Screw, Top Cover #6-32*3/8 SS	CA002305	CA002305	CA002305	CA002305	3
Shoulder Strap	13234703	13234703	13234703	13234703	1
Shoulder Strap with Scale	11013085	11013085	10985780	10985780	1
Service Scale	13417307	13417307	11368134	11368134	1
Warranty Statement	10983258	10983258	10983258	10983258	1

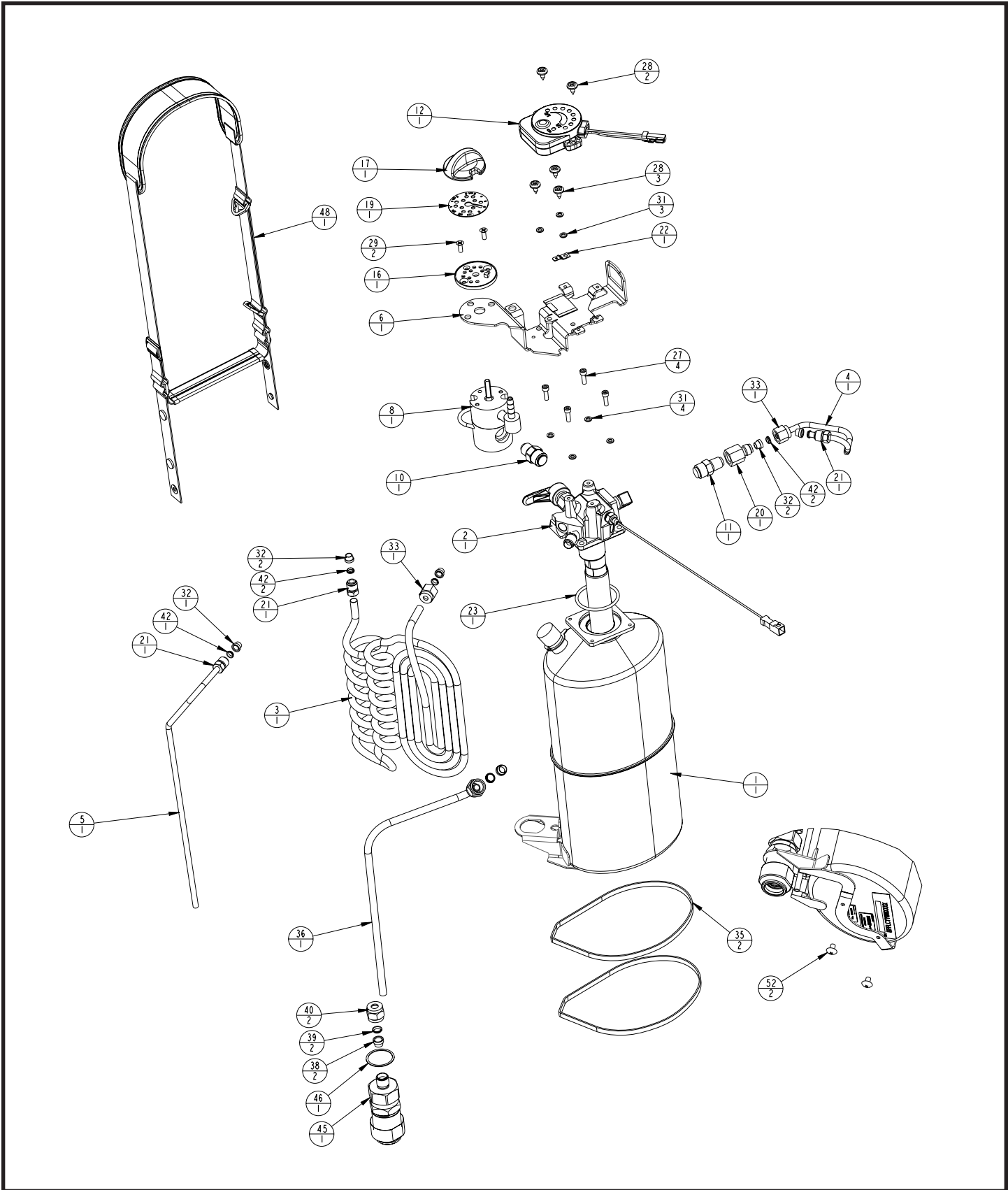
Configurable - Meter

Key	Description	Sprint SF	Sprint TF	Stroller SF	Stroller TF	#
1	Dewar	11033828	11033828	11033861	11033861	1
2	Manifold	10665401	10665381	10665410	10665399	1
3	Vaporizer Coil	11033086	11033086	11891064	11891064	1
4	PRV Tube	10656177	10656177	10656185	10656185	1
5	Vent Outlet Tube	10665348	10656142	10665356	10656134	1
6	Top Bracket	10861568	10861568	10861576	10861576	1
8	FCV (0-6LPM)	11014521T	11014521T	11014521T	11014521T	1
	FCV (0-2LPM)	11923417T	11923417T	11923417T	11923417T	1
10	30 PSI SRV	10491253T	10491253T	10491253T	10491253T	1
11	20 PSI PRV w/screen	10528423	10528423	10528423	10528423	1
12	Gen4 Meter	13352401	13352401	13352401	13352401	1
13	PRV Filter Assembly	10932098		10932098		1
16	Lock Plate, FCV	CA406438	CA406438	CA406438	CA406438	1
17	Knob, FCV	10542153	10542153	10542153	10542153	1
19	Flow Rate Decal, FCV (0-6LPM)	CA406436	CA406436	CA406436	CA406436	1
	Flow Rate Decal, FCV (0-2LPM)	11923409	11923409	11923409	11923409	1
20	PRV Filter Assembly		10932098		10932098	1
21	Feed-Thru Fitting	CA404841	CA404841	CA404841	CA404841	3
22	Ground Terminal, #8 spade	10597904	10597904	10597904	10597904	1
23	O-Ring, Manifold	10579423	10579423	10579423	10579423	1
27	Screw, Manifold #6-32*7/16 SS	CA404853	CA404853	CA404853	CA404853	4
28	Screw, Bracket/Meter #6-23*3/8 SS	CA002305	CA002305	CA002305	CA002305	5
29	Screw, FCV #6-32*1/2 SS	CA002876	CA002876	CA002876	CA002876	2
31	Lock Washer, Bracket/Manifold #6 SS	CA404996	CA404996	CA404996	CA404996	7
32	Ferrule, 3/16 Front	CA006191	CA006191	CA006191	CA006191	5
33	Nut, Tube 3/16	CA006292	CA006292	CA006292	CA006292	2
35	Strap, Vaporizer Coil	CA403730	CA403730	CA403730	CA403730	1
36	Fill Tube, QDV		10656126		10656118	1
37	Ferrule, 3/16 Rear	CA006192		CA006192		5
38	Ferrule, 1/4 Front		CA405072		CA405072	2
39	Ferrule, 1/4 Rear		CA405074		CA405074	2
40	Nut, Tube 1/4		10760273		10760273	2
42	Ferrule, 3/16 Rear		CA006192		CA006192	5
	TF QDV Lip Seal		CA110104		CA110104	1
	TF QDV Poppet Assy		10665292		10665292	1
	TF QDV Poppet Retaining Ring		10656054		10656054	1
	TF QDV Inlet Fitting Seal		10656071		10656071	1
45	QDV, PB Top Fill Portable		10566420T		10566420T	1
	QDV, Penox Top Fill Portable		10743668T		10743668T	1
	QDV, Cryo2 Top Fill Portable		10743650T		10743650T	1
	QDV, LifeOx Top Fill Portable		10985974T		10985974T	1
	QDV, Taema Top Fill Portable		11807272T		11807272T	1
46	Lock Washer, PB TF QDV		10712052		10712052	1
48	Shoulder Strap	13234703	13234703	13234703	13234703	1
52	Screw, Case #8-32*1/4 SS	10621986	10621986	10621986	10621986	2

Configurable Diagram - Side Fill - Meter



Configurable Diagram - Top Fill - Meter

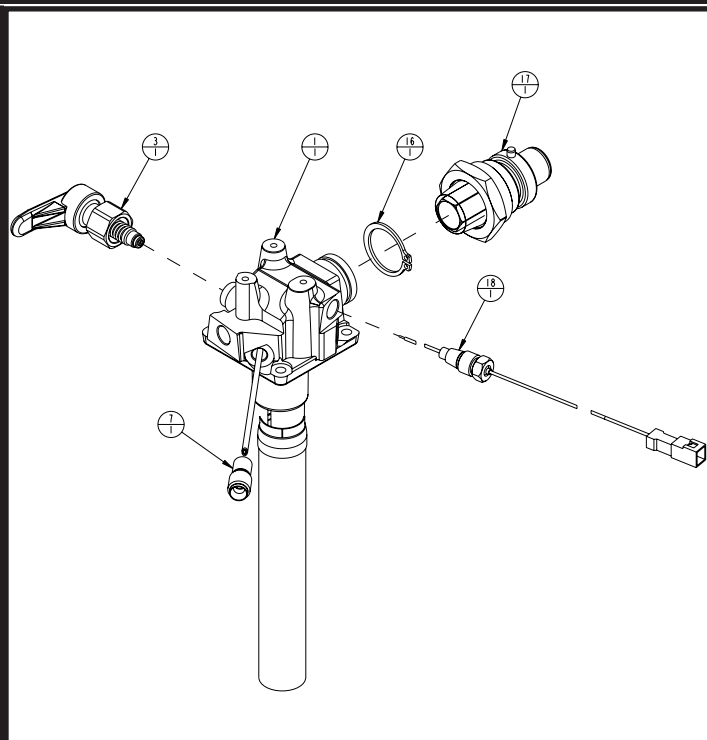
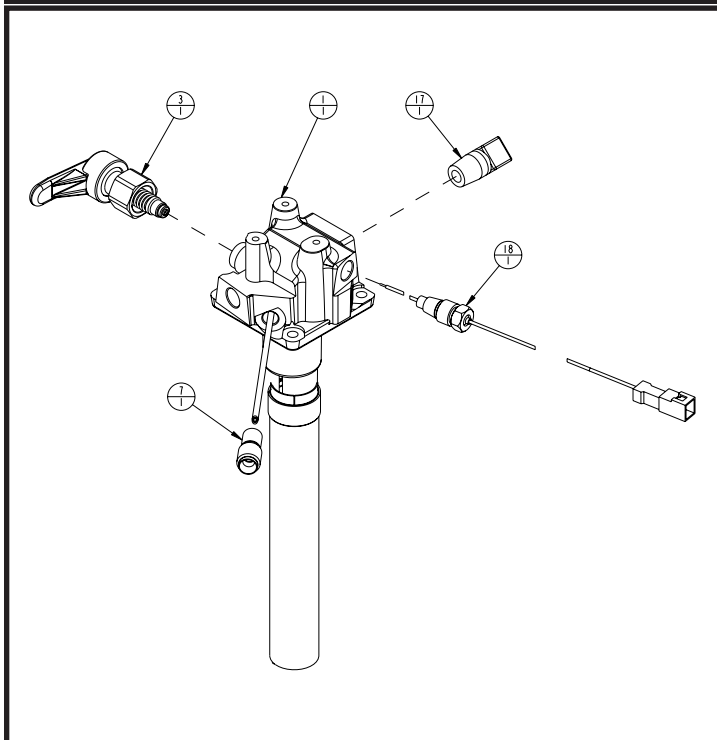


Manifold - Meter

Key	Description	Sprint SF	Sprint TF	Stroller SF	Stroller TF	#
1	Manifold Plate	11652258	11652215	11652186	11652282	1
3	Vent Valve (auto-close)	10811253	10811253	10811253	10811253	1
	Vent Valve (manual-close)	10564248	10564248	10564248	10564248	1
7	Fitting, Vaporizer Coil, SS	CA404839	CA404839	CA404839	CA404839	1
16	Retaining Ring, SF QDV	10776769		10776769		1
17	QDV, Side Fill, Caire	10577866T		10577866T		1
	Side Fill QDV Poppet Assy	10665372		10665372		1
	Side Fill QDV O-Ring	CA404838		CA404838		1
	Side Fill QDV Hex Coupler	CA404936		CA404936		1
17	Elbow Connector, Top Fill QDV		10636395		10636395	1
18	Wire Harness, G4 Meter	13787885	13787885	13787877	13787877	1

Manifold Diagram - Top Fill

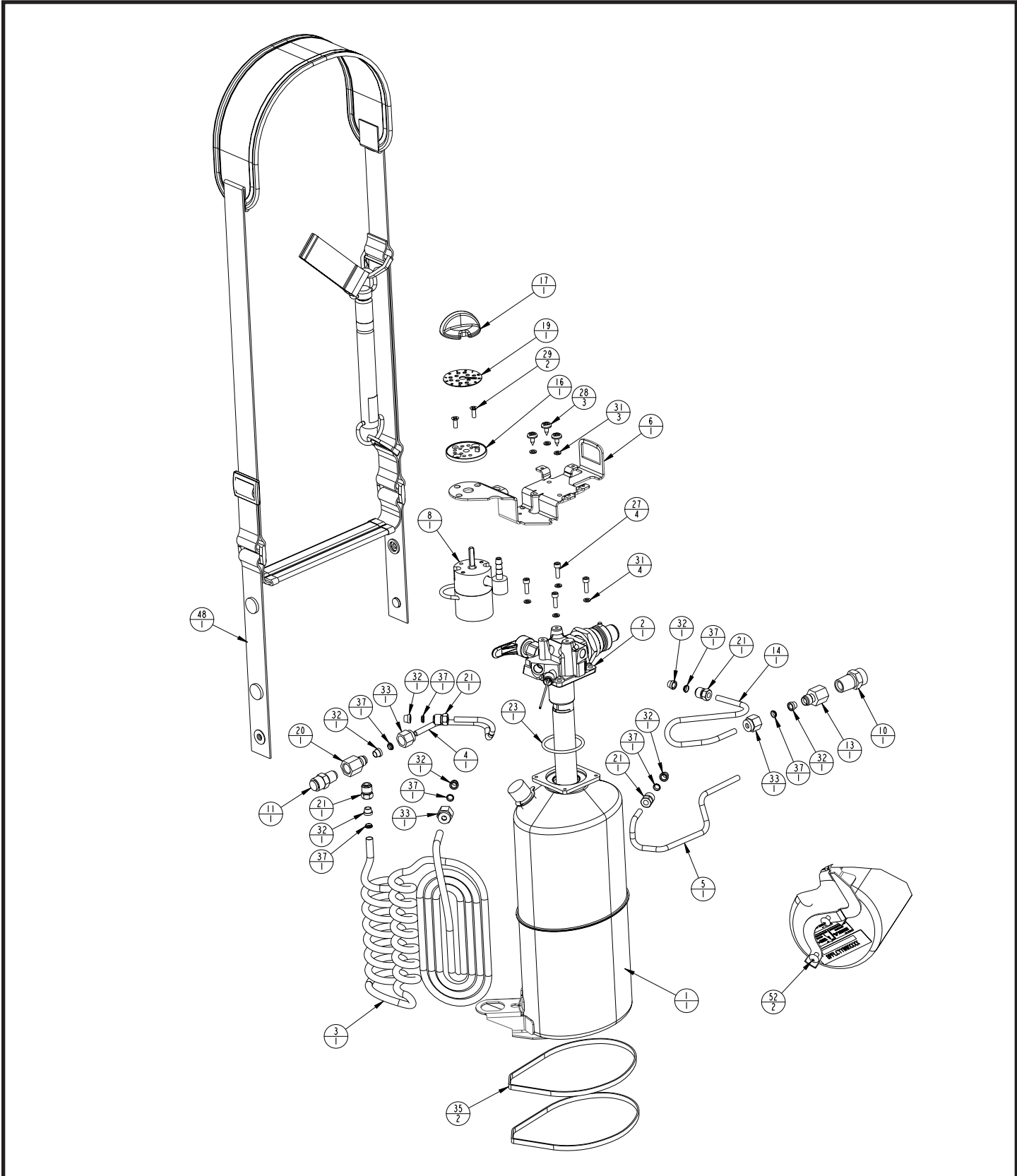
Manifold Diagram - Side Fill



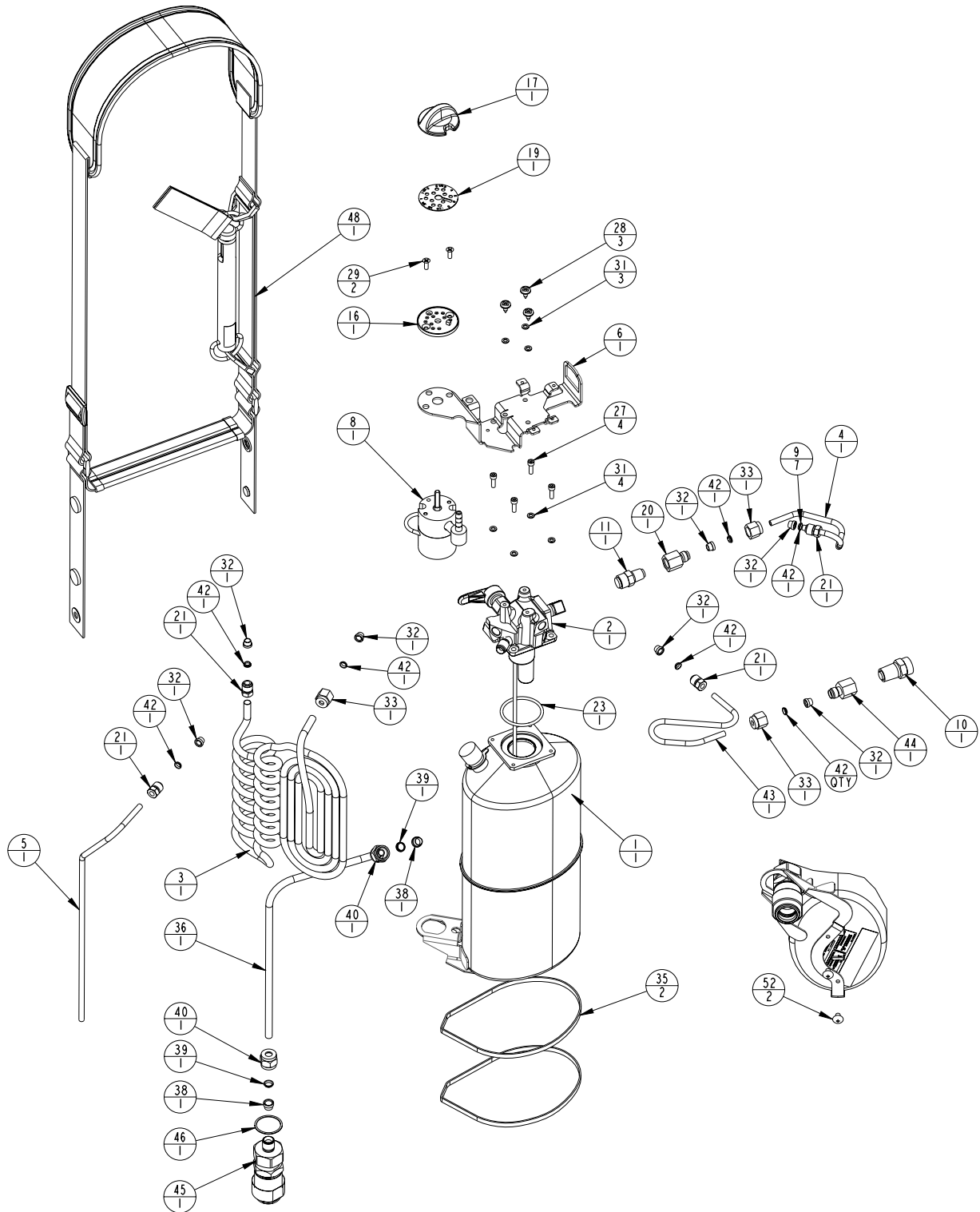
Configurable - Scale

Key	Description	Sprint TF	Stroller SF	Stroller TF	#
1	Dewar	11033828	11033861	11033861	1
2	Manifold	11193151	11037554	11037546	1
3	Vaporizer Coil	11033086	11891064	11891064	1
4	PRV Tube	10656177	10656185	10656185	1
5	Vent Outlet Tube	10656142	10665356	10656134	1
6	Top Bracket	10861568	10861576	10861576	1
8	FCV (0-6LPM)	11014539T	11014539T	11014539T	1
10	30 PSI SRV	10491288T	10491288T	10491288T	1
11	20 PSI PRV w/screen	10528423	10528423	10528423	1
13	SRV Filter Assembly		10932098		1
16	Lock Plate, FCV	CA406438	CA406438	CA406438	1
17	Knob, FCV	10542153	10542153	10542153	1
19	Flow Rate Decal, FCV (0-6LPM)	CA406436	CA406438	CA406436	1
20	PRV Filter Assembly	CA405446	CA405446	CA405446	1
21	Feed-Thru Fitting	CA404841	CA404841	CA404841	4
23	O-Ring, Manifold	10579423	10579423	10579423	1
27	Screw, Manifold #6-32*7/16 SS	CA404853	CA404853	CA404853	4
28	Screw, Bracket/Meter #6-23*3/8 SS	CA002305	CA002305	CA002305	3
29	Screw, FCV #6-32*1/2 SS	CA002876	CA002876	CA002876	2
31	Lock Washer, Bracket/Manifold #6 SS	CA404996	CA404996	CA404996	7
32	Ferrule, 3/16 Front	CA006191	CA006191	CA006191	7
33	Nut, Tube 3/16	CA006292	CA006292	CA006292	3
35	Strap, Vaporizer Coil	CA403730	CA403730	CA403730	2
36	TF QDV Fill Tube	10565056		10656118	1
37	Ferrule, 3/16 Rear		CA006192		7
38	Ferrule, 1/4 Front	CA405072		CA405072	2
39	Ferrule, 1/4 Rear	CA405074		CA405074	2
40	Nut, Tube 1/4	10760273		10760273	2
42	Ferrule, 3/16 Rear	CA006192		CA006192	7
43	SRV Coil	11037562		11037562	1
44	SRV Filter Assembly	10932098		10932098	1
	TF QDV Lip Seal	CA110104		CA110104	1
	TF QDV Poppet Assy	10665292		10665292	1
	TF QDV Poppet Retaining Ring	10656054		10656054	1
	TF QDV Inlet Fitting Seal	10656071		10656071	1
45	QDV - TF PB	10566420T		10566420T	1
	QDV - TF Cryo2	10743650T		10743650T	1
	QDV - SF CAIRE		10577866T		1
46	Lock Washer	10712052		10712052	1
48	Shoulder Strap Assembly w/ Scale	11013085	10985780	10985780	1
	Svce Shoulder Strap	13234703	13234703	13234703	1
	Svce Scale Assembly	13417307	11368134	11368134	1
52	Screw, Case #8-32*1/4 SS	10621986	10621986	10621986	1

Configurable Diagram - Side Fill - Scale



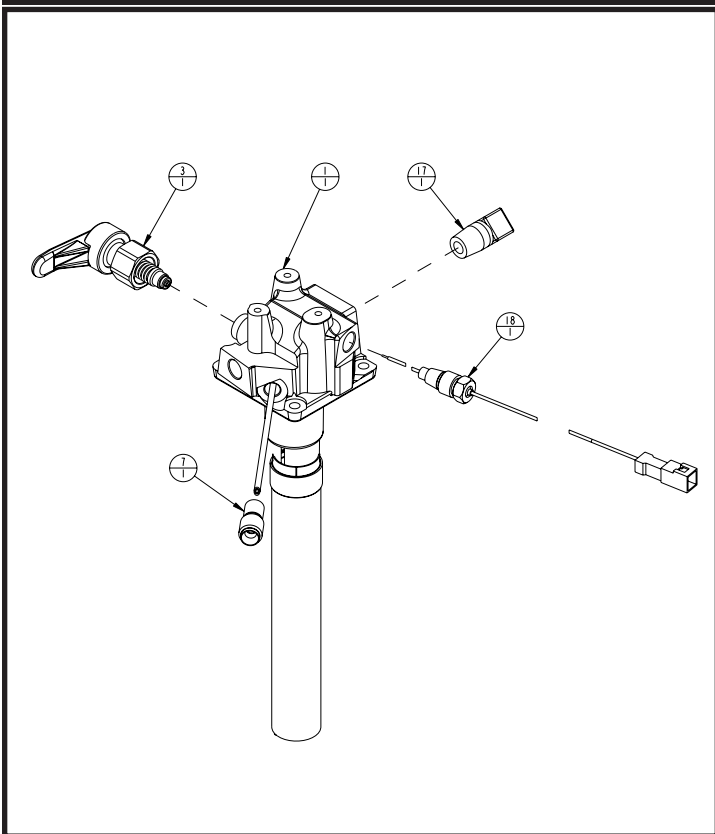
Configurable Diagram - Top Fill - Scale



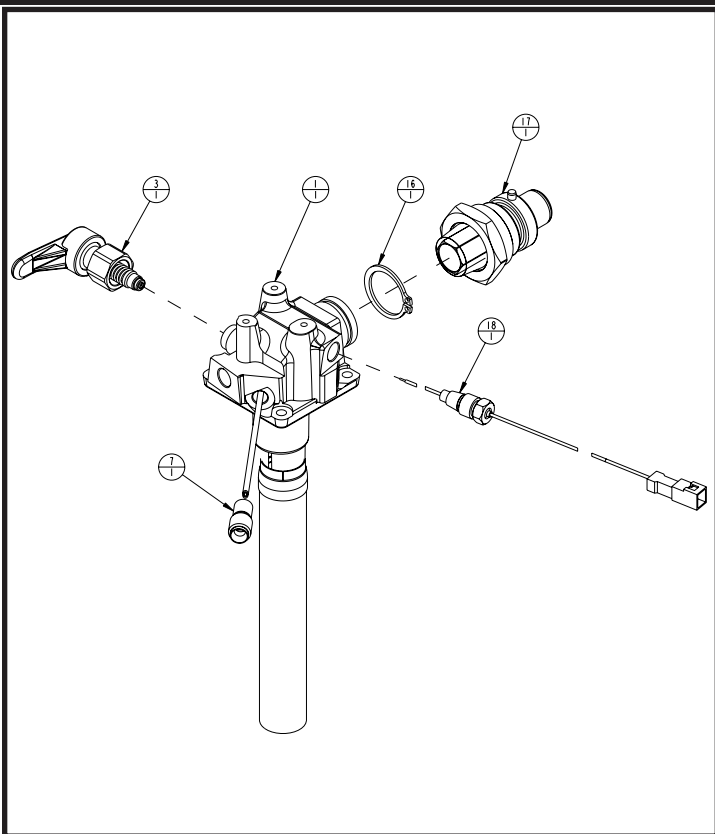
Manifold - Scale

Key	Description	Sprint TF	Stroller SF	Stroller TF	#
1	Manifold Plate	11652215	11652186	11652282	1
3	Vent Valve (auto-close)	10811253	10811253	10811253	1
	Vent Valve (manual-close)	10564248	10564248	10564248	1
7	Fitting, Vaporizer Coil, SS	CA404839	CA404839	CA404839	1
16	Retaining Ring, SF QDV		10776769		1
17	QDV, Side Fill, Caire		10577866T		1
	Side Fill QDV Poppet Assy		10665372		1
	Side Fill QDV O-Ring		CA404838		1
	Side Fill QDV Hex Coupler		CA404936		1
17	Elbow Connector, Top Fill QDV	10636395		10636395	1
18	N/A (Meter Only)	N/A	N/A	N/A	N/A

Manifold Diagram - Top Fill



Manifold Diagram - Side Fill



Case

Key	Description	Sprint SF	Sprint TF	Stroller SF	Stroller TF	#
1	Condensate Pad	10542209	10542209	10542209	10542209	1
2	Condensate Cup - Blue	10542057	10542057	10542057	10542057	1
2	Condensate Cup - Light Gray	10941681	10941681	10941681	10941681	1
2	Condensate Cup - Dark Gray	10568249	10568249	10568249	10568249	1
3	Bottom Cover					1
4	Back Cover					1
5	Front Cover					1
6	Top Cover - Blue	10564328	10564328	10564310	10564310	1
6	Top Cover - Blue - Wide			11668313	11668313	1
6	Top Cover - Light Gray	10978281	10978281	10941701	10941701	1
6	Top Cover - Light Gray - Wide			11700627	11700627	1
6	Top Cover - Dark Gray	10542049	10542049	10562111	10562111	1
6	Top Cover - Dark Gray - Wide			11700601	11700601	1
7	SF QDV Plug - Blue (TF)	10542137	10564361	10542137	10564361	1
7	SF QDV Plug - Light Gray (TF)		10941752		10941752	1
7	SF QDV Plug - Dark Gray (TF)		10542145		10542145	1
8	Grommet, Condensate Cup	CA110033	CA110033	CA110033	CA110033	1
9	Plunger, Condensate Cup	CA110034	CA110034	CA110034	CA110034	1
10	TF QDV Plug	10821363	10935117	10821363	10935117	1

Case Diagram

