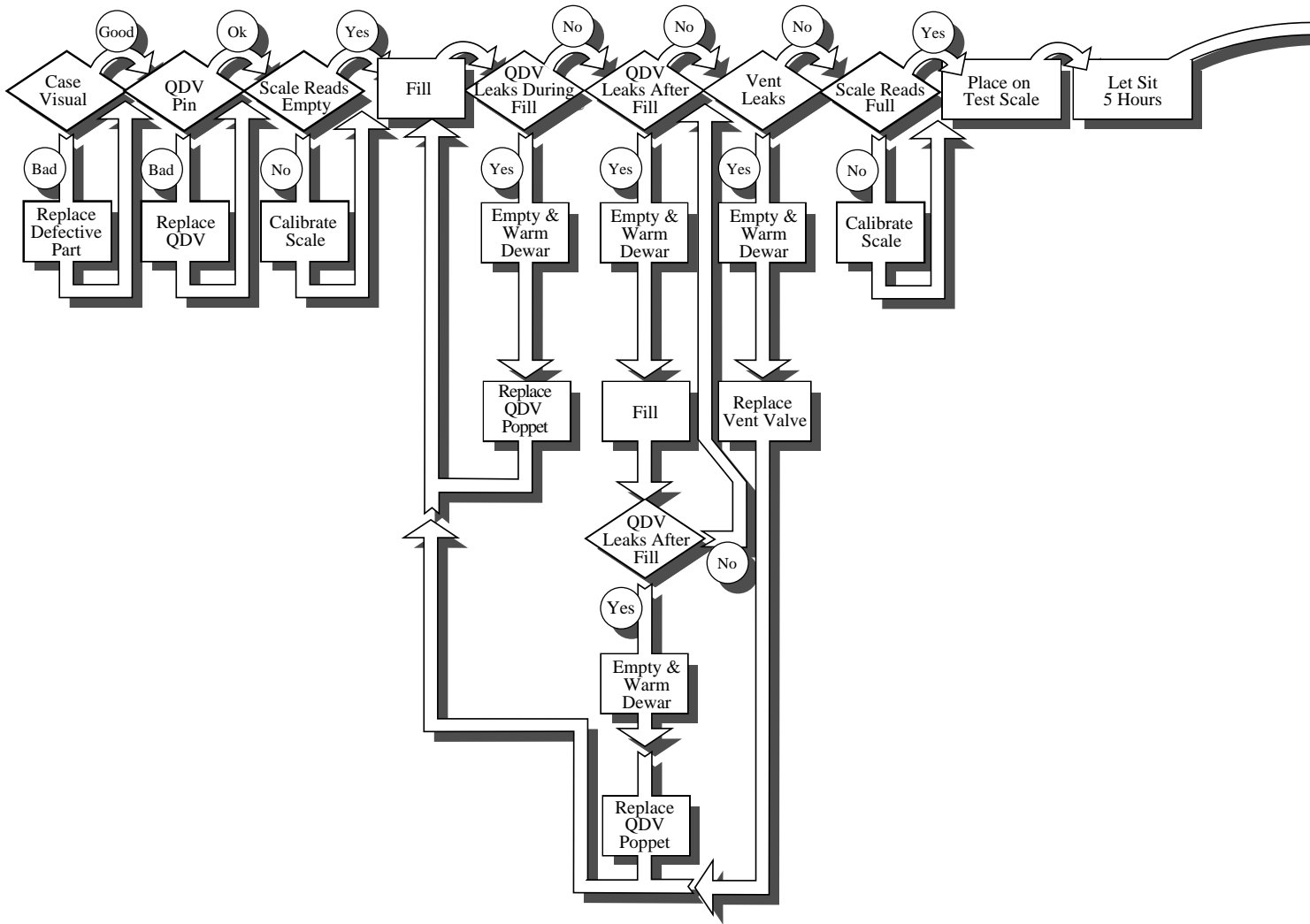
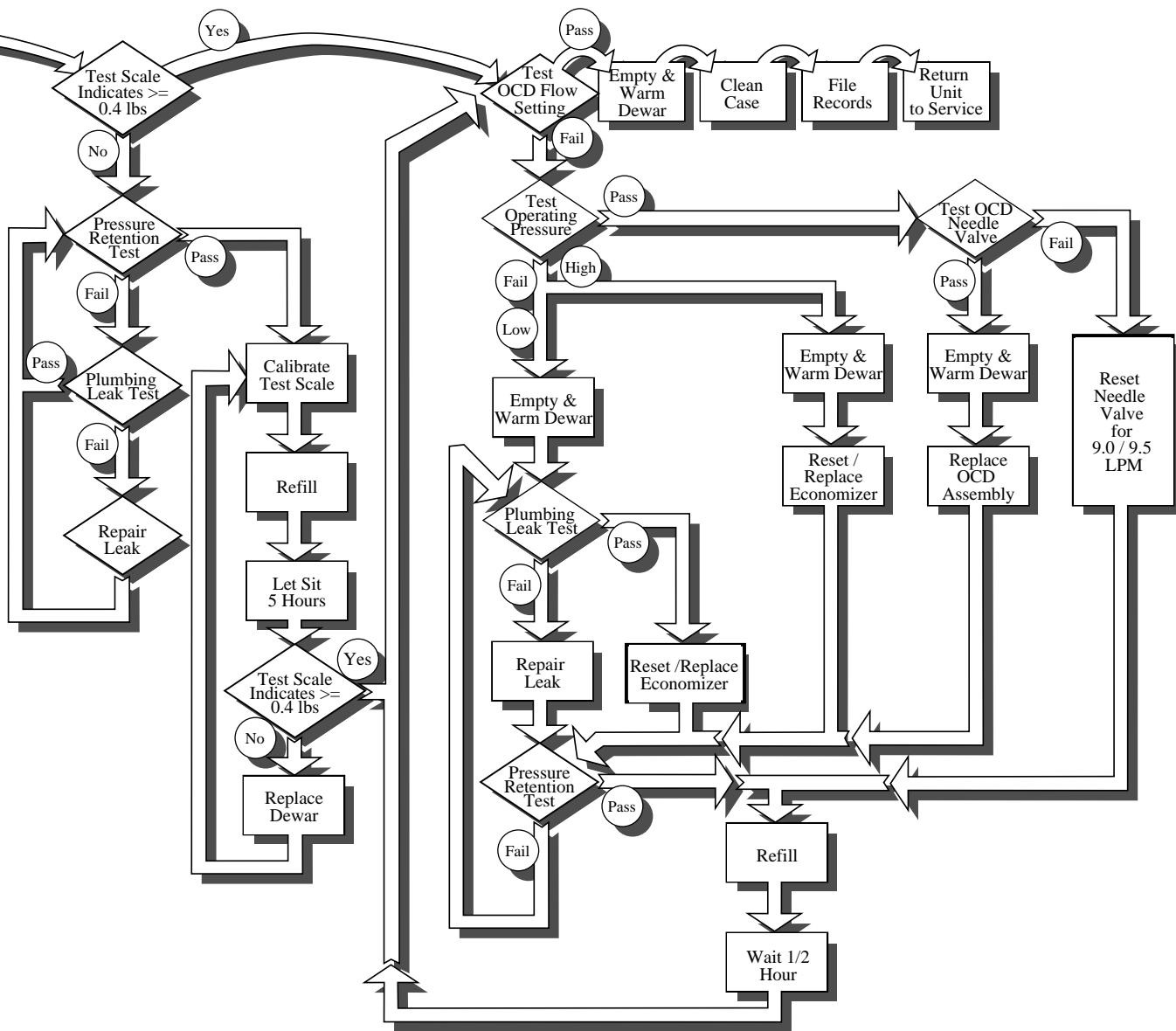


X Troubleshooting Chart



Troubleshooting Chart X



To Use Troubleshooting Chart:

- * Start at the upper left corner.
- * The top line shows the steps of routine maintenance.
- * Unless otherwise noted by the arrows, the flow through the chart is to the right or down.